

MODEL # CIMR-VU	VOLTAGE (VAC)	OUTPUT CURRENT (A)		WEIGHT LBS (Kg)	HEAT LOSS (W)					
		ND	HD		ND (Fc=2kHz)			HD (Fc=8kHz)		
					INT	EXT	TOT	INT	EXT	TOT
BA0001BXX	208/240	1.2	0.8	1.3 (0.6)	8.5	5.0	13.5	7.4	4.3	11.7
BA0002BXX	SINGLE-PHASE	1.9	1.6	1.3 (0.6)	9.7	7.6	17.3	8.9	7.9	16.8
2A0001BXX	208/240	1.2	0.8	1.3 (0.6)	8.0	5.0	13.0	7.3	4.3	11.6
2A0002BXX	THREE-PHASE	1.9	1.6	1.3 (0.6)	9.5	7.6	17.1	8.8	7.9	16.7

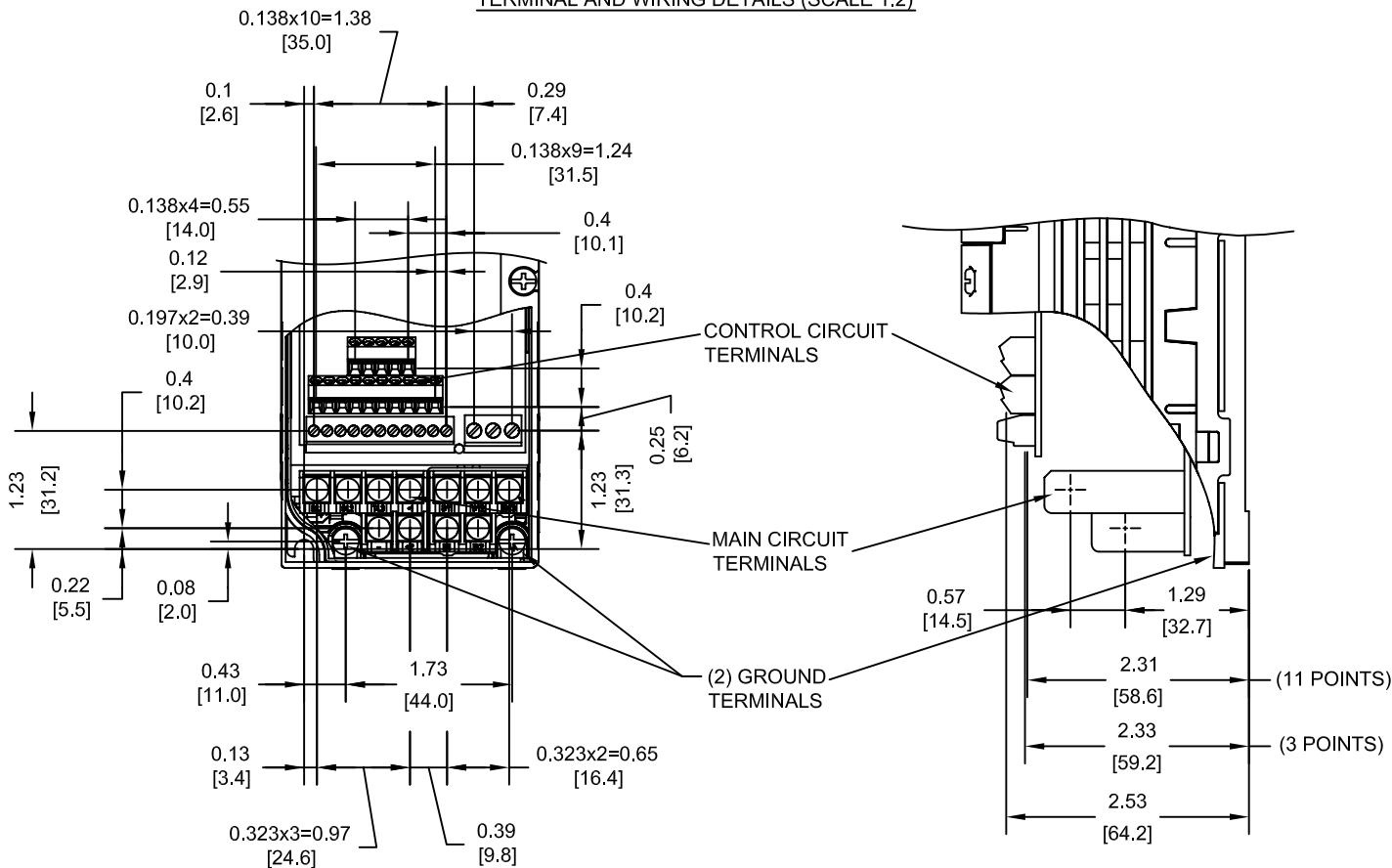
NOTE:
XX DENOTES AA-ZZ

INT=INTERNAL COMPONENTS
EXT=EXTERNAL HEATSINK
TOT=TOTAL

FOR ADDITIONAL DETAILS AND SPECIFICATIONS, CONSULT MANUAL

TOLERANCES / REFERENCES:		<p>YASKAWA The Drive for Quality™</p> <p>THIS DOCUMENT AND INFORMATION CONTAINED IN IT ARE CONFIDENTIAL, AND CANNOT BE COPIED OR DISCLOSED IN WHOLE OR IN PART WITHOUT THE EXPRESS WRITTEN CONSENT OF YASKAWA ELECTRIC AMERICA INC.</p>	DRAWN: J. MATTAS DATE 1-19-09	TITLE: V1000 DIMENSION DRAWING FRAME SIZE 1 OPEN ENCLOSURE (IP20 RATING) BA0001B TO 0002B, 2A0001B TO 0002B
UNITS: IN [mm]	SCALE: 1:2		CHECKED: J. PIOTROWSKI DATE 8-21-09	DATE 8-21-09
			TECH: J. CAIRO DATE 8-24-09	DATE 8-24-09
			APPROVED: T. SASADA DATE 8-28-09	DATE 8-28-09
		ORIGINAL DESIGN: -	DATE -	DRAWING #: DD.V1K.FR1.IP20
			SIZE A	REVISION R00
			PAGE 1 of 3	

TERMINAL AND WIRING DETAILS (SCALE 1:2)



TERMINAL AND WIRE SPECIFICATIONS FOR MAIN CIRCUIT AND GROUND

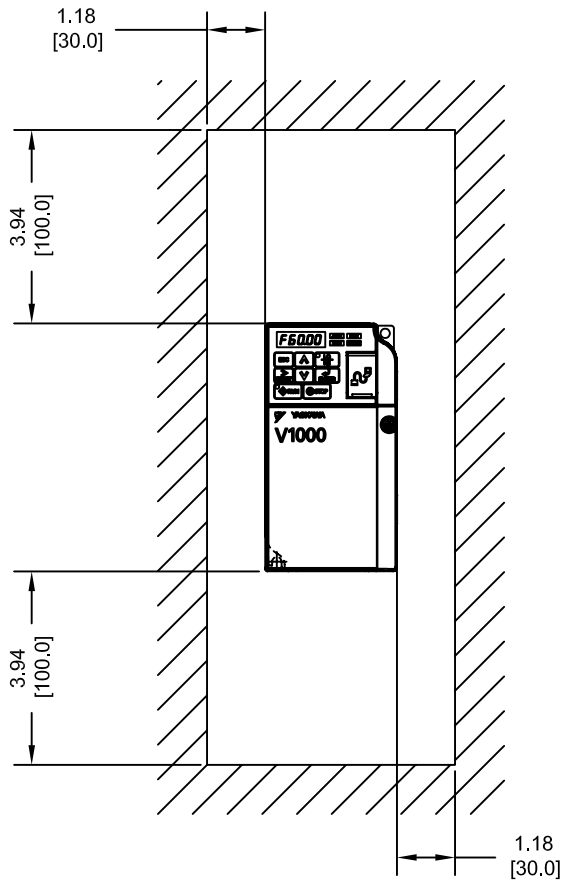
MODEL # CIMR-VU	TERMINAL SCREW	CLAMPING TORQUE lb.in.(N.m.)	WIRE RANGE AWG(mm ²)
BA0001B	M3.5	7.1 TO 8.9 (0.8 TO 1.0)	22-14 (0.33-2.0)
BA0002B	M3.5	7.1 TO 8.9 (0.8 TO 1.0)	22-14 (0.33-2.0)
2A0001B	M3.5	7.1 TO 8.9 (0.8 TO 1.0)	22-14 (0.33-2.0)
2A0002B	M3.5	7.1 TO 8.9 (0.8 TO 1.0)	22-14 (0.33-2.0)

NOTE: RATINGS APPLY TO BOTH FACTORY AND FIELD WIRING
 REFER TO APPLICABLE CODES FOR PROPER WIRE TYPE AND SIZE

FOR ADDITIONAL DETAILS AND SPECIFICATIONS, CONSULT MANUAL

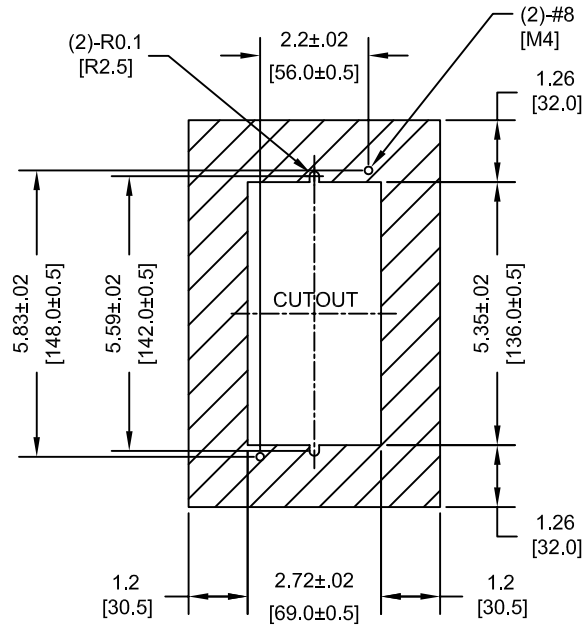
TOLERANCES / REFERENCES:	<p>THIS DOCUMENT AND INFORMATION CONTAINED IN IT ARE CONFIDENTIAL, AND CANNOT BE COPIED OR DISCLOSED IN WHOLE OR IN PART WITHOUT THE EXPRESS WRITTEN CONSENT OF YASKAWA ELECTRIC AMERICA INC.</p>	DRAWN: J. MATTAS	DATE 1-19-09	TITLE: V1000 DIMENSION DRAWING	
		CHECKED: J. PIOTROWSKI	DATE 8-21-09	FRAME SIZE 1	
		TECH: J. CAIRO	DATE 8-24-09	OPEN ENCLOSURE (IP20 RATING)	
		APPROVED: T. SASADA	DATE 8-28-09	SIZE A	REVISION R00
UNITS: IN [mm]	SCALE: BY VIEW	ORIGINAL DESIGN: -	DATE -	DRAWING #: DD.V1K.FR1.IP20	

MINIMUM INSTALLATION CLEARANCES (SCALE 1:4)



NOTE:
FOR SIDE-BY-SIDE MOUNTING
CONSULT MANUAL

PANEL CUTOUT FOR EXTERNAL HEATSINK
MOUNTING CONFIGURATION (SCALE 1:4)



NOTES:
1. EXTERNAL HEATSINK
CONFIGURATION REQUIRES
MOUNTING KIT
2. EXPOSED HEATSINK
RECOMMENDED CLEARANCE
D=1.18" MINUS PANEL THICKNESS

TOLERANCES / REFERENCES:		<p>THIS DOCUMENT AND INFORMATION CONTAINED IN IT ARE CONFIDENTIAL, AND CANNOT BE COPIED OR DISCLOSED IN WHOLE OR IN PART WITHOUT THE EXPRESS WRITTEN CONSENT OF YASKAWA ELECTRIC AMERICA INC.</p>	DRAWN: J. MATTAS CHECKED: J. PIOTROWSKI TECH: J. CAIRO APPROVED: T. SASADA ORIGINAL DESIGN: -	DATE 1-19-09 DATE 8-21-09 DATE 8-24-09 DATE 8-28-09 DATE -	TITLE: V1000 DIMENSION DRAWING FRAME SIZE 1 OPEN ENCLOSURE (IP20 RATING) BA0001B TO 0002B, 2A0001B TO 0002B
UNITS: IN [mm]	SCALE: BY VIEW		SIZE A REVISION R00 PAGE 3 of 3	DRAWING #: DD.V1K.FR1.IP20	